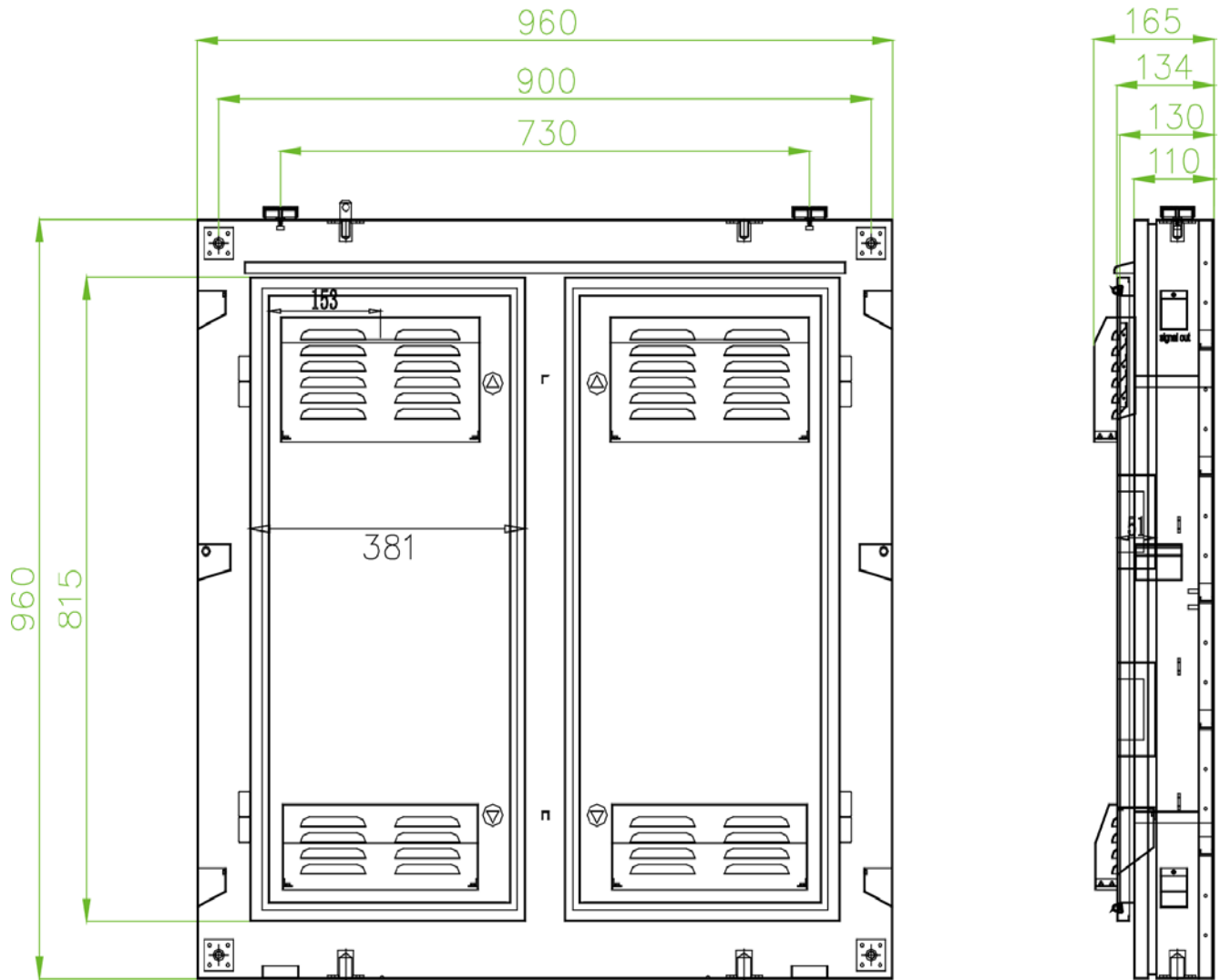


Parameter		Value
Physical Parameter	Pixel Configuration	DIP570
	Pixel Pitch (mm)	6.67
	Pixel matrix per panel	144x144
	Pixel density (pixels/sq.m.)	22500
	Cabinet Dimensions (LxWxH)/ (mm)	960X960X 165
	Module Dimensions (LxWxH)/ (mm)	320X160X30.5
	Panel material	Iron
	Cabinet weight (kg/panel)	50.6
	Module weight (kg/panel)	1.1
Electronic Parameter	Color Grayscale (Bit)	14bit
	Gray Scale per Color (level)	16384
	Refresh Rate (Hz)	1920
	Driving Type	1/6
	Signal Transmission Distance (m)	CAT5 cable: <100 m; Single mode fiber: <10 km
Optical Parameter	Brightness (nit)	10200
	Optimal Horizontal Viewing Angle (°)	100
	Optimal Vertical Viewing Angle (°)	100
Electrical Parameter	AC Input Voltage (V)	AC: 100-240V±10%
	AC Input Frequency (Hz)	50-60
	AC Input Power Maximum Value (W/m ²)	819
	AC Input Power Typical Value (W/m ²)	273
Circumstance Parameter	Storage Temperature (°C)	-40 -70
	Working Temperature (°C)	-20 -50
	IP rating (Front/Rear)	IP65/IP65
	Storage Humidity (RH)	10%~90% non-condensing
	Working Humidity (RH)	10%~60% non-condensing
	Lifetime Typical Value (hrs)	100000
Installation Type	Cabinet installation type	Fix
	Rigging Quantity (Vertical) (PCS)	\



INA *Display*

T6.6S pictures

