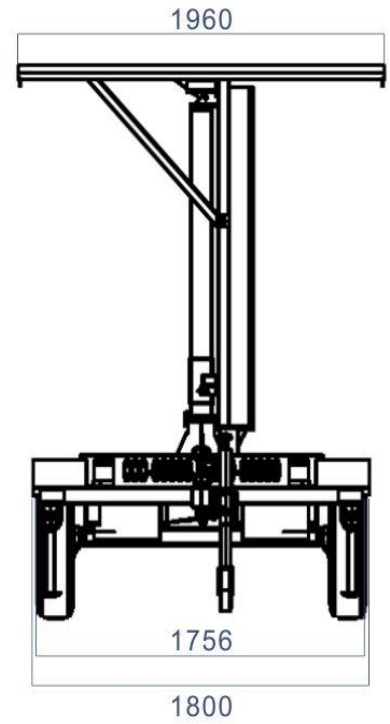
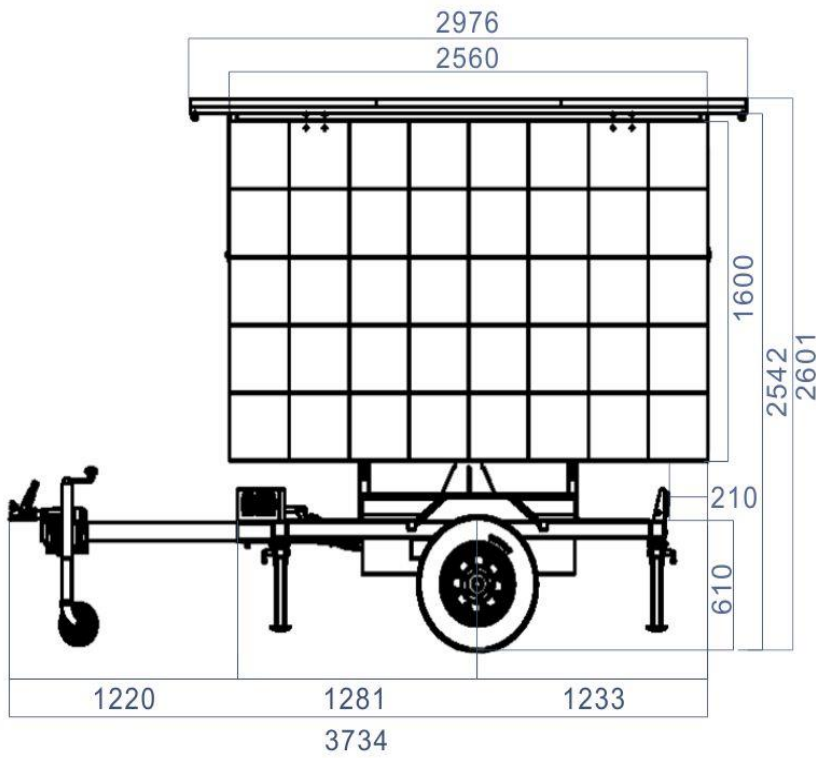


Parameter		Value
<b>Physical Parameter</b>	Pixel Configuration	DIP570
	Pixel Pitch (mm)	8
	Pixel Resolution Each Screen	320x200
	Pixel density (pixels/sq.m.)	15625
	Display size (LxWxH)/ (mm)	2560X1600
	Module size (LxWxH)/ (mm)	320x160
	Panel material	Iron
	Cabinet weight (kg/panel)	50
<b>Electronic Parameter</b>	Color Grayscale (Bit)	14bit
	Gray Scale per Color (level)	16384
	Refresh Rate (Hz)	≥1200
	Driving Type	1/4s
<b>Optical Parameter</b>	Brightness (nit)	6000
	Optimal Horizontal Viewing Angle (°)	110
	Optimal Vertical Viewing Angle (°)	55
<b>Electrical Parameter</b>	AC Input Voltage (V)	AC: 200-240V
	AC Input Frequency (Hz)	DC48V
	AC Input Power Typical Value (W/m <sup>2</sup> )	≤150W
	Working Temperature (°C)	-30-50
	IP rating (Front/Rear)	IP65/IP65
	Lifetime Typical Value (hrs)	100000
<b>Installation Type</b>	Cabinet installation type	Fix
Configuration name		Number
<b>Product Configuration</b>	Trailer Chassis	1UNIT
	Power Distribution System	1SET
	Display System	4.1m <sup>2</sup>
	Steel Structure System	1SET
	Solar Power Management System	12PC
	Electrical System	1SET
	Hydraulic System	1SET
	Support System	4PC
	Solar Panel	6m <sup>2</sup>
	Convertor	1UNIT



(单位: mm)

