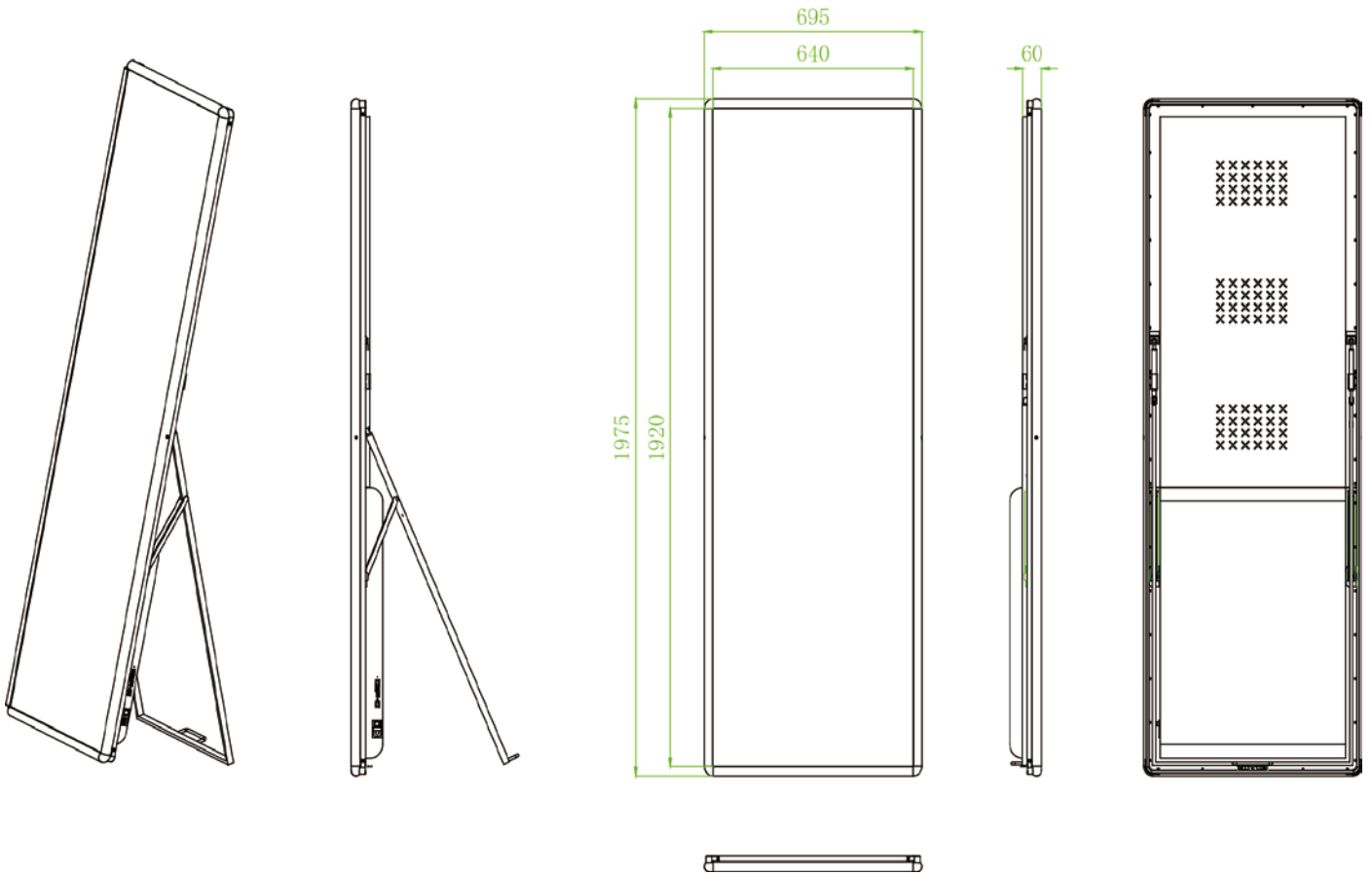


Parameter		Value
<b>Physical Parameter</b>	Pixel Configuration	SMD1515
	Pixel Pitch (mm)	2
	Pixel matrix per panel	320x960
	Pixel density (pixels/sq.m.)	250000
	Cabinet Dimensions (LxWxH)/ (mm)	Case Size: 695x1975x101 Display Size: 640x1920
	Module Dimensions (LxWxH)/ (mm)	320x160
	Panel material	Aluminum profile
	Cabinet weight (kg/panel)	45
	Module weight (kg/panel)	0.45
<b>Electronic Parameter</b>	Color Grayscale (Bit)	≥14bit
	Gray Scale per Color (level)	≥16384
	Refresh Rate (Hz)	1920
	Driving Type	1/20
	Signal Input Type	HDMI/WIFI (app) /USB
<b>Optical Parameter</b>	Brightness (nit)	800
	Optimal Horizontal Viewing Angle (°)	140
	Optimal Vertical Viewing Angle (°)	140
<b>Electrical Parameter</b>	AC Input Voltage (V)	AC: 100-240V±10%
	AC Input Frequency (Hz)	50
	AC Input Power Maximum Value (W/m <sup>2</sup> )	880
	AC Input Power Typical Value (W/m <sup>2</sup> )	293
<b>Circumstance Parameter</b>	Storage Temperature (°C)	-40 -60
	Working Temperature (°C)	-10-40
	IP rating (Front/Rear)	IP30/IP30
	Storage Humidity (RH)	10%~90% non-condensing
	Working Humidity (RH)	10%~60% non-condensing
	Lifetime Typical Value (hrs)	100000
<b>Installation Type</b>	Cabinet installation type	Hanging/Standing
	Rigging Quantity (Vertical) (PCS)	/



**INA** *Display*

**M2 pictures**

