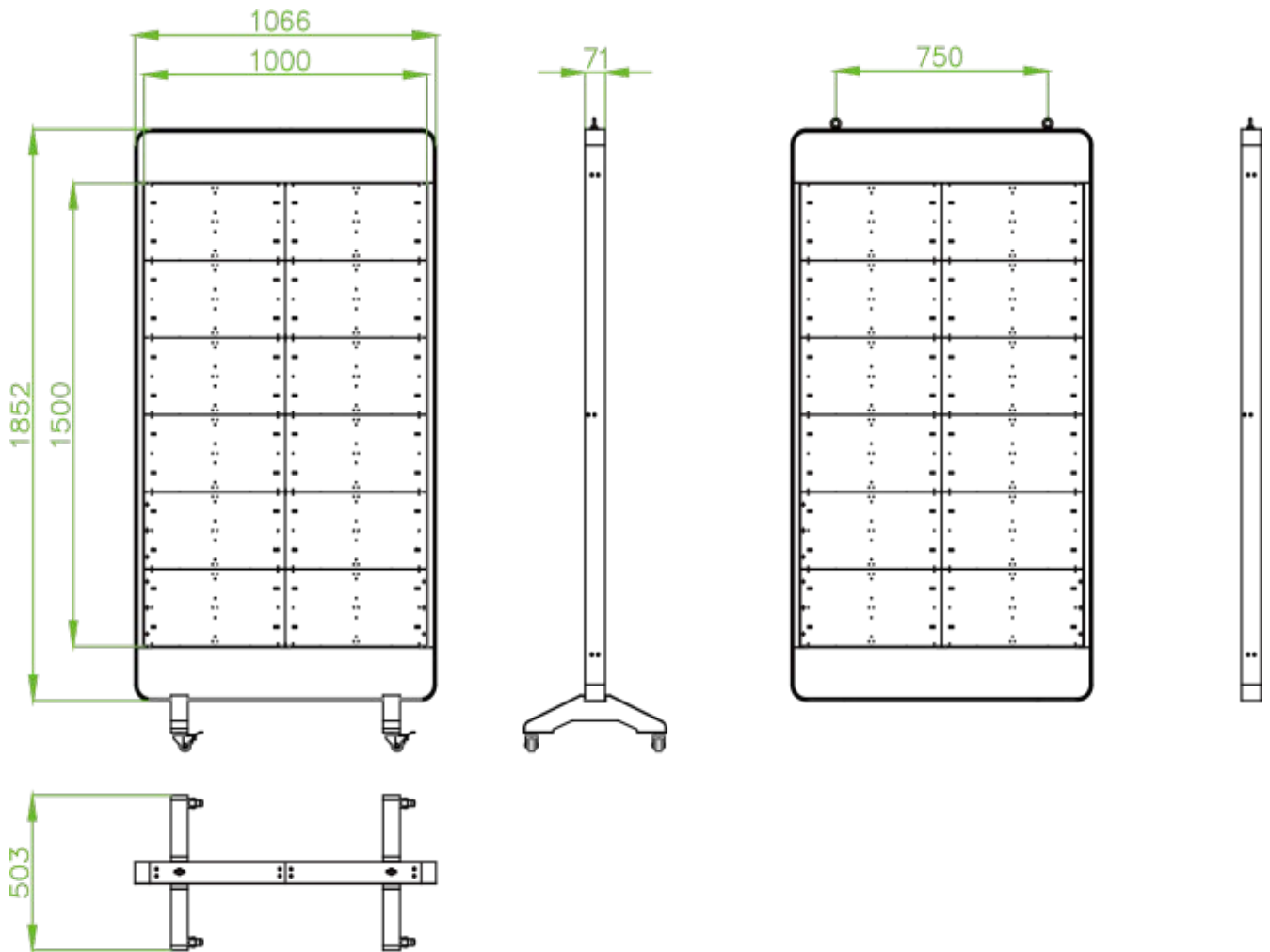


Parameter		Value
Physical Parameter	Pixel Configuration	SMD2727
	Pixel Pitch (mm)	3.9x7.8
	Pixel matrix per panel	256x192
	Pixel density (pixels/sq.m.)	32768
	Cabinet Dimensions (LxWxH)/ (mm)	1066X1852X71 (Display size: 1000x1500)
	Module Dimensions (LxWxH)/ (mm)	500X250
	Panel material	Aluminum profile
	Cabinet weight (kg/panel)	42
	Module weight (kg/panel)	1.36
Electronic Parameter	Color Grayscale (Bit)	14bit
	Gray Scale per Color (level)	16384
	Refresh Rate (Hz)	1920
	Driving Type	1/8
	Signal Transmission Distance (m)	Wifi : <150 m;
Optical Parameter	Brightness (nit)	4000
	Optimal Horizontal Viewing Angle (°)	120
	Optimal Vertical Viewing Angle (°)	120
Electrical Parameter	AC Input Voltage (V)	AC: 100-240V±10%
	AC Input Frequency (Hz)	50/60
	AC Input Power Maximum Value (W/m ²)	642
	AC Input Power Typical Value (W/m ²)	214
Circumstance Parameter	Storage Temperature (°C)	-40 -70
	Working Temperature (°C)	0-45
	IP rating (Front/Rear)	IP2X/IP2X
	Storage Humidity (RH)	10%~90% non-condensing
	Working Humidity (RH)	10%~60% non-condensing
	Lifetime Typical Value (hrs)	100000
Installation Type	Cabinet installation type	Fix/Rental
	Rigging Quantity (Vertical) (PCS)	1



INA Display

A3.9 pictures

